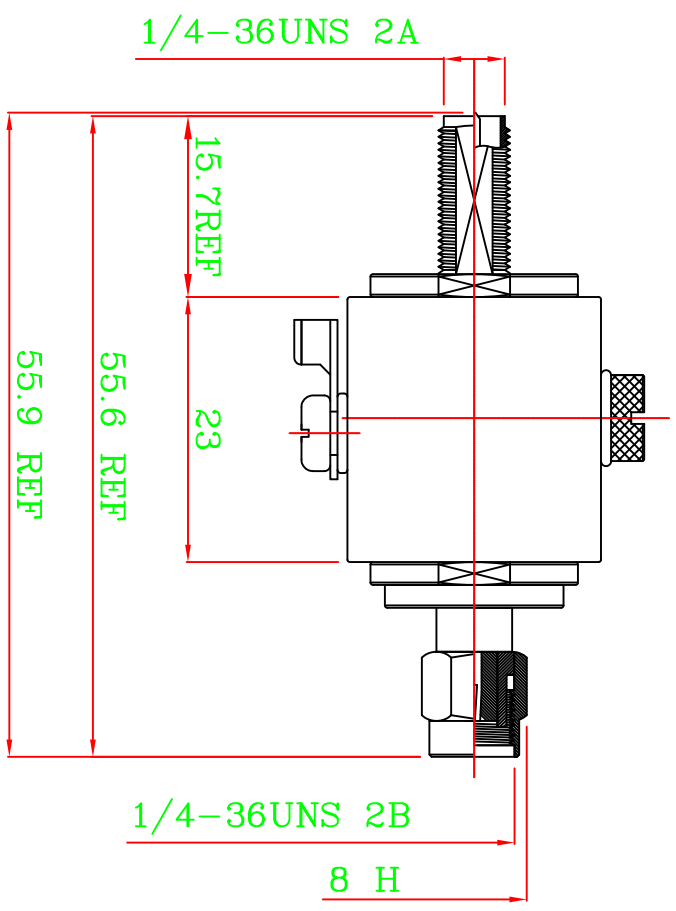
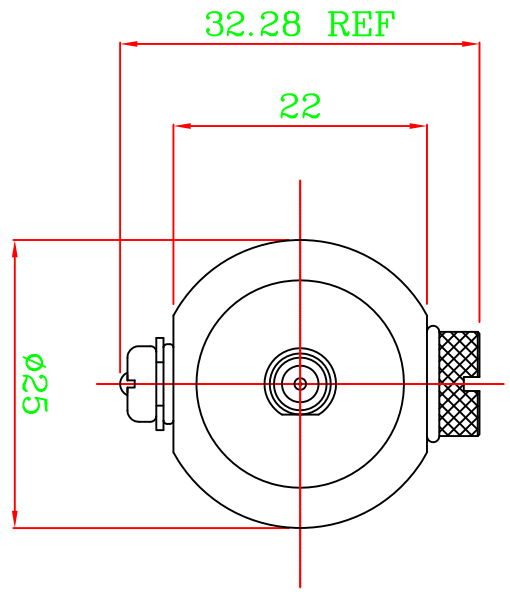


REV	DRAWN	DATE

DESCRIPTION



Lightning Protector 6GHZ
Frequency 0-6GHZ
VSWR 1:1.7Max
Insertion Loss 0.9dBi Max
Impedence 50Ohm

Gas Tube DC 230V±20%
Breakdown Vol tage ≤700V
Gas Tube Impulise
Breakdown Vol tage ≥10000M Ohm
Gas Tube Insulation Resistance
Max Withstand Current 5 K V
RF Power Rating 15W

R&D

2010.06.17

* MAJOR DIMENSION

UNLESS OTHERWISE NOTED TOLERANCES
0.5-6=±0.2
6-30=±0.4
30-120=±0.6
120-315=±1.0
ANGLES=±1°

APPROVED

CASH

CHECKED

LYDIA

DRAWN

KEVIN

DRAWN DATE 10/06/17

TITLE

Lightning Protector RP-SMA(F) TO RP-SMA(M)

DRAWING NO.

LP-21

REV

A

SCALE

4/1

UNIT

MM