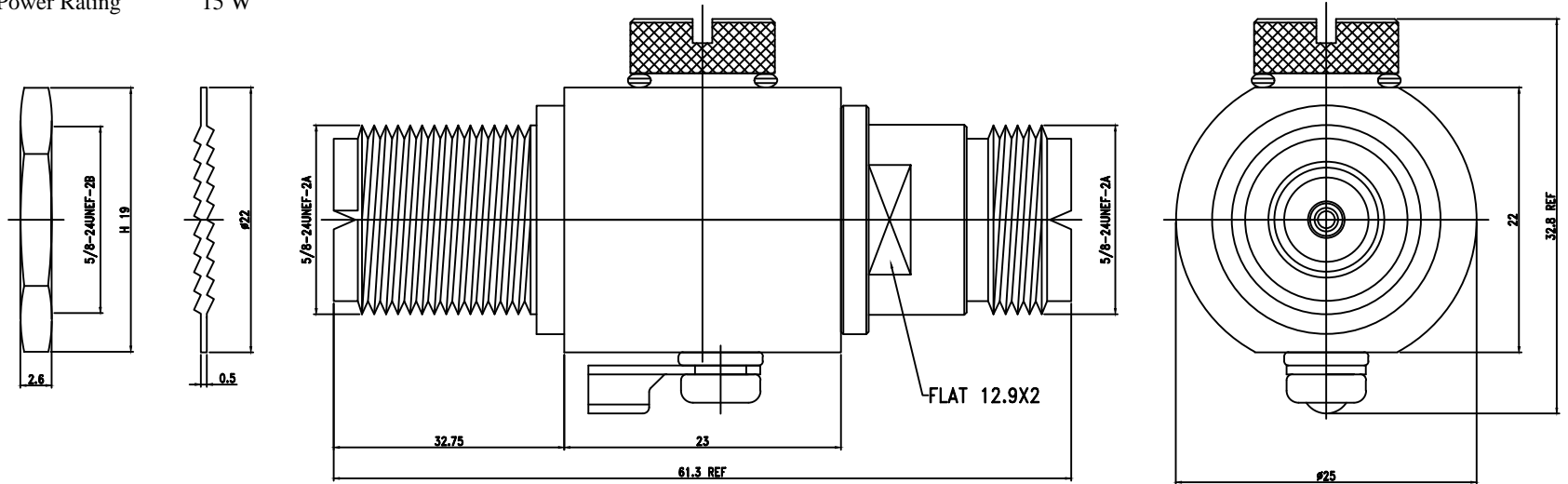


REV	DRAWN	DATE	DESCRIPTION

Lightning Protector 6GHZ
 Frequency 1 GHZ
 VSWR 1:1.7 Max
 Insertion Loss 0.9dBi Max
 Impedence 50Ohm
 I cu'Vvdg'FE'.....'452XÖ42'
 Breakdown VoItage
 Gas Tube Impulse $\leq 700V$
 Breakdown VoItage
 Gas Tube Insulation $\geq 10000 M Ohm$
 Resistance
 Max Withstand Current 5 K V
 RF Power Rating 15 W



R&D	* MAJOR DIMENSION		APPROVED		CASH	
	UNLESS OTHERWISE NOTED TOLERANCES 0.5-6=±0.2 6-30=±0.4 30-120=±0.6 120-315=±1.0 ANGLES=±1°		CHECKED			LYDIA
2008.9.19			DRAWN		PEN	
		SCALE	4/1	UNIT		MM
TITLE					Lightning Protector UHF(F) TO UHF(F)	
DRAWING NO.					LP-19	
REV					A	